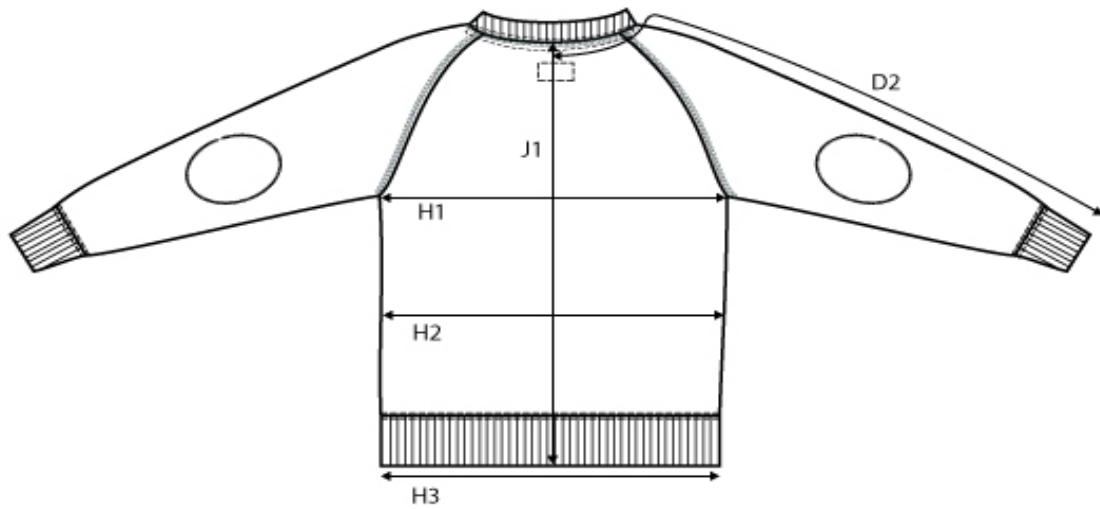
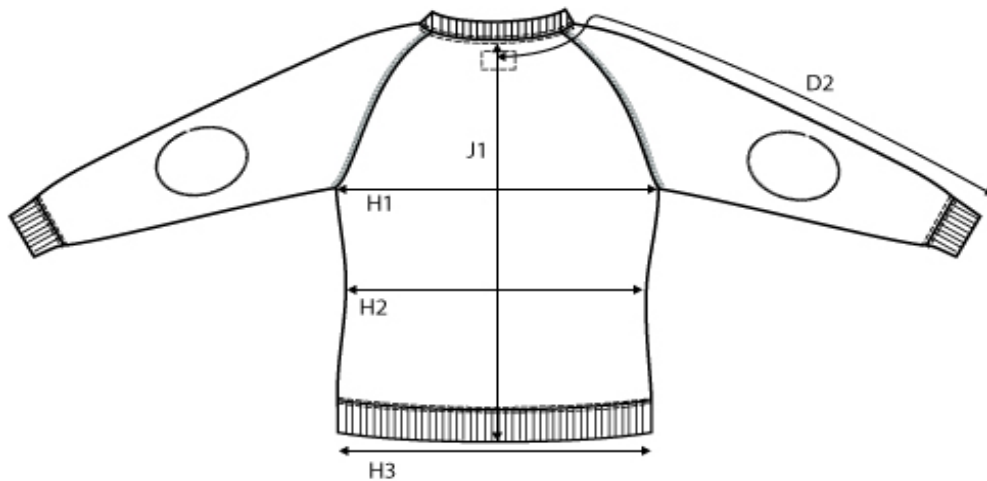


SIZE AND FIT: MILTON



**MILTON MENS**

| Measurement (in cm)                   | Diagram | S    | M    | L           | XL   | XXL  | 3XL  | 4XL   |
|---------------------------------------|---------|------|------|-------------|------|------|------|-------|
| Centre back to end of sleeve - raglan | D2      | 86.5 | 89   | <b>91.5</b> | 94   | 96.5 | 99   | 101.5 |
| Chest Width at armhole                | H1      | 52   | 55   | <b>58</b>   | 61   | 64   | 67   | 70    |
| Waist                                 | H2      | 47.5 | 50.5 | <b>53.5</b> | 56.5 | 59.5 | 62.5 | 65.5  |
| Bottom width - Rib bottom edge        | H4      | 44.5 | 47.5 | <b>50.5</b> | 53.5 | 56.5 | 59.5 | 62.5  |
| Full Length at centre back            | J1      | 66   | 68   | <b>70</b>   | 72   | 74   | 76   | 78    |



**MILTON LADIES**

| Measurement (in cm)                   | Diagram | XS   | S            | M         | L     | XL   | XXL   |
|---------------------------------------|---------|------|--------------|-----------|-------|------|-------|
| Centre back to end of sleeve - raglan | D2      | 77.5 | <b>79.25</b> | <b>81</b> | 82.75 | 84.5 | 86.25 |
| Chest Width at armhole                | H1      | 44   | <b>47</b>    | <b>50</b> | 53    | 56   | 59    |
| Waist                                 | H2      | 40   | <b>43</b>    | <b>46</b> | 49    | 52   | 55    |
| Bottom width - Rib bottom edge        | H4      | 38   | <b>41</b>    | <b>44</b> | 47    | 50   | 53    |
| Full Length at centre back            | J1      | 58   | <b>60</b>    | <b>62</b> | 64    | 66   | 68    |